



## technical data type **FUTURIX LED**

**Base:** Glass reinforced polyester,  
Compression moulded (GRP).

- *Optional* : - Stainless steel suspension bracket.

- Double cable entry (same side), only GRP!
- Grey PC base (instead of GRP) always with stainless steel suspension brackets.
- Free fix mounting bracket, only for wide housings. (602, 1202, 1502)

Installer can choose for any position and they give 100% safety. (IK10 – for PC/PC version)

- Wieland (IP66), Adels (IP66), Stucchi (IP65) connector, or MPM (IP66) but not for through wiring.
- Triangles for suspension.
- EPDM sealing (instead of PU)

**Diffuser:** special frosted polycarbonate for a smooth uniform lighting.

- *Optional* : - Clear PC diffuser: 105% lumen output.

**Gear tray:** white painted steel.

**Clips:** 1-part stainless steel clips

- *Optional* : 1-part polycarbonate clips

**UL** version available for delivery in components.



### Specifications:

- Product life min. 50.000h L80 B10 at  $T_{LB}$ .  
or 100.000h L80 B10 at  $T_a.25^{\circ}C$  for all LED 1R till 60W.

*Optional* : for >60W 100.000h L80 B50 / 50.000h L90 B10

- Available in 3000K, 4000K, 5000K and 6500K with CRI of > 80

- MacAdam 3 SDCM

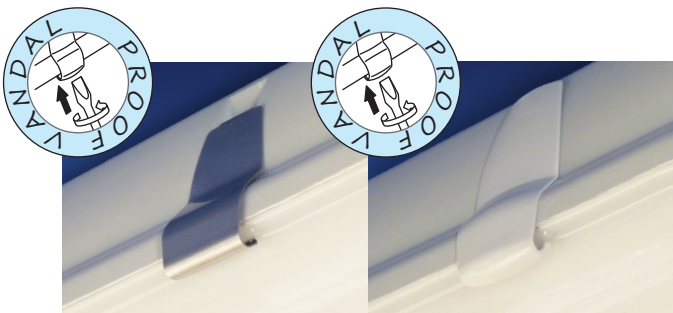
- Luminous efficiency:  
LER frosted diff. up to 166 lm/W.

- 220-240V 50/60 Hz.
- $T_a: -20^{\circ}C +50^{\circ}C$ .

- HACCP ( certified for food industry )

- *Optional* :

- 1-10V and DALI.
- DC driver for CBS.
- Emergency (Manual test, Self-test, DALI).
- HF-Motion Sensor.
- Through-wiring 1 phase or 3 phase.  
(This will influence the  $T_{LB}$ .)
- CRI min. 90 (930, 940, 965 on demand)  
lumen correction factor 0,94.
- 110 V 50/60 Hz
- Casambi + other wireless communication systems.
- Special driver for industry applications.  
(higher temperature and surge).



Stainless steel clip

Polycarbonate clip  
(optional)

EN  
**62471**  
RGO



LSOH

IP65  
IP66



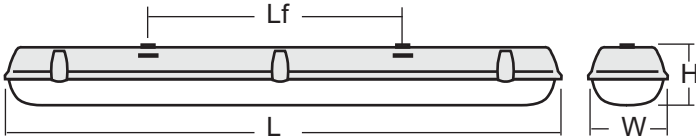
BIM  
—  
DWG(3D)



CLASS II  
Option



## technical data type FUTURIX LED



Housing	L	W*	H	Lf	Clips	Kg
601	665	84	98,5	400	6	1,5
1201	1275	84	98,5	800	8	1,8
1501	1575	84	98,5	1100	10	2,2
602	665	134	98,5	400	6	2,0
1202	1275	134	98,5	800	8	2,9
1502	1575	134	98,5	1100	10	3,8

\*Dimensions without clips

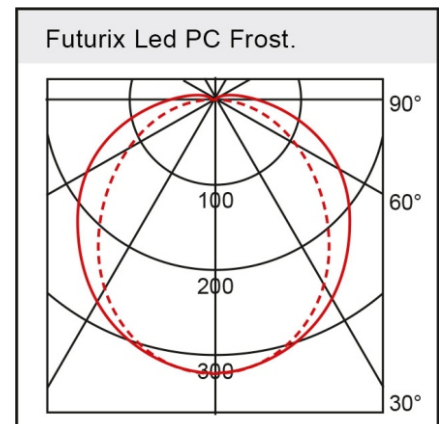
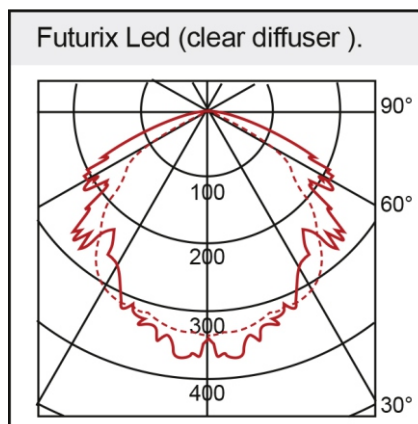
**Impact strength data:** body in PC and diffuser in PC + free fix bracket (IK10)  
 body in GRP and diffuser in PC > 6 Nm (IK08)  
 body in GRP and diffuser in PMMA > 0,22 Nm (IK02)

**PHILIPS (SIGNIFY) Inside:** Fortimo LED line 3R / Strip 1R - Xitanium driver.

**Tolerance on Lf:** GRP +/- 2 cm with optional bracket.  
 PC +/- 4 cm always with bracket.



Options: "Free fix bracket" and "Double entry hole".



## technical data type FUTURIX LED

Housing	Art.	Power <sup>(1)</sup>	LED	Flux <sup>(2)</sup>	TLB <sup>(3)</sup>	EM <sup>(4)</sup>	EM ST/DALI <sup>(4)</sup>	EEC-LED <sup>(5)</sup>
601	Z	9 W	1R	1450 lm	40°C	0	0	C
	R	13 W	1R	2000 lm	35°C	0	0	C
1201	U	17 W	1R	2750 lm	50°C	√	√	C
	S	25 W	1R	4120 lm	50°C	√	√	C
	H	35 W	1R	5600 lm	45°C	√	0	C
1501	V	20 W	1R	3110 lm	50°C	√	√	C
	T	31 W	1R	5150 lm	50°C	√	√	C
	I	44 W	1R	7000 lm	45°C	√	0	C
602	R <sup>2</sup>	13 W	1R	2000 lm	40°C	√	√	C
	A	17 W	3R	2210 lm	51°C	√	√	D
	Z	18 W	1R	2700 lm	40°C	√	√	C
	D	23 W	3R	3100 lm	40°C	√	√	D
1202	S <sup>2</sup>	25 W	1R	4120 lm	45°C	√	√	C
	B	30 W	3R	4420 lm	51°C	√	√	D
	H <sup>2</sup>	35 W	1R	5600 lm	43°C	√	√	C
	E	45 W	3R	6210 lm	40°C	√	√	D
1502	T <sup>2</sup>	31 W	1R	5150 lm	45°C	√	√	C
	C	37 W	3R	5530 lm	51°C	√	√	D
	I <sup>2</sup>	44 W	1R	7000 lm	43°C	√	√	C
	X	53 W	1R	8100 lm	40°C	√	√	C
	Y	60 W	1R	8900 lm	35°C	√	√	C
	L	76 W	3R	10500 lm	35°C	√	0	D
K	78 W	1R	11400 lm	30°C	√	0	D	

(1) Total power consumption of LED's and driver. (+/- 10%)

(2) Luminous flux of fitting @ 25°C for 840, 850 and 865. (correction factor 0,95 for 830)

Luminous output and electrical load have an initial tolerance of +/- 10 % from nominal.

(3) TLB is the maximum ambient temperature Ta(°C) for continuous use to achieve the total lifetime (LB) of the LED components.

(4) Ta.= +2°C...+25°C max for emergency.

(5) This product contains a light source of energy efficiency class <C> or <D>. The energy efficiency class <C> is not valid for color 930.



“3R”

“1R”

IP65/IP66 connectors  
(optional)

Stainless steel suspension  
bracket (optional for GRP)

High quality PHILIPS chipboard LED (optional)